

# GES/UCAS

## Graphic specifications

### CYF 2024

UCAS



# This document

UCAS

CYF 2024

This document contains an overview of GES/UCAS Graphic Specs;

- Infill graphic specification
- Overlay graphic specification
- Stand measurements
- Graphic fitting
- Overview
- Top tips
- Contact information

# Infill graphics

UCAS

CYF 2024

- Sit in between the metal framework
  - Attach directly to the panel board
  - Dimensions: Height 2340mm x Width 923mm
- 
- Use hook and loop Velcro to attach graphics to panels.

(Please note image is just an example of graphic fit on the shell scheme. The UCAS design of stand will not have a fascia)



# Overlay graphics

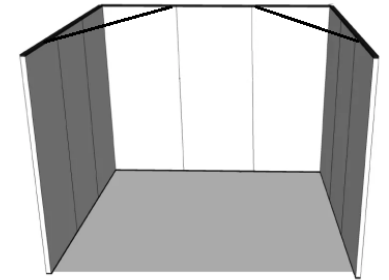
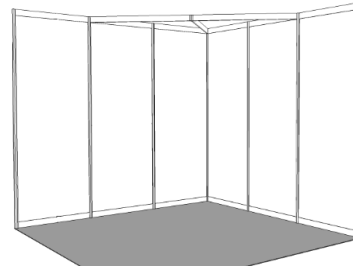
UCAS

CYF 2024

- Graphics will be overlaying the poles as per the visual to sit flush next to each other for a continued design across all panels.

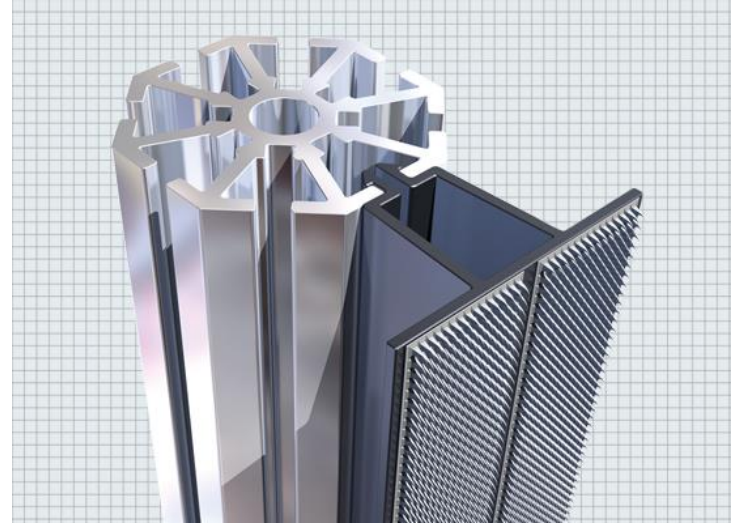
## Please note

- Image is just an example of graphic fit on the shell scheme – our design of stand will not have a fascia)
- For all graphics printed we would recommend printing on a 3mm/5mm (thickness) Foamex board.



# Overlay graphic fitting

- Recommend using shell clips to attach the overlay graphics to the shell scheme.
- These attach to the aluminium upright supports and push into place.
- These are available from a number of outlets. For example: [shell-clad.com](http://shell-clad.com)



# Overlay graphics stand measurements

Measurements as follows, all at height 2430mm:

Please take into account the return of the name-board

### 3x3m with 3 walls

Back wall – 2906mm  
Side walls – 2906mm

### 3x3m with 2 walls

Back wall – 2906mm  
Side walls – 2906mm

### 6x3m with 3 walls

Back wall – 5882mm  
Side walls – 2906mm

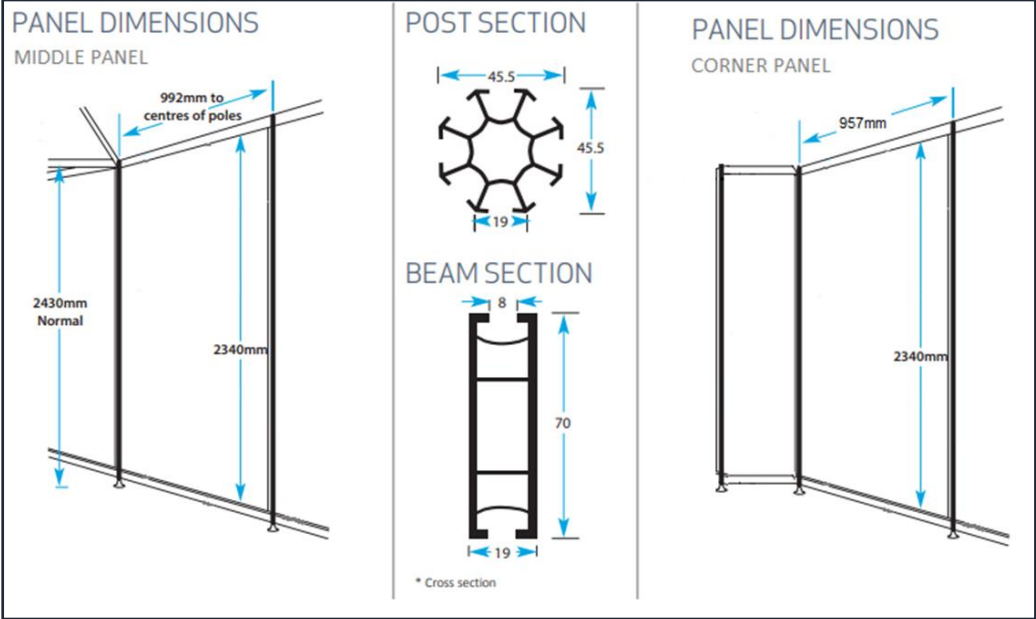
### 6x3m with 2 walls

Back wall – 5882mm  
Side walls – 2906mm

### End of block

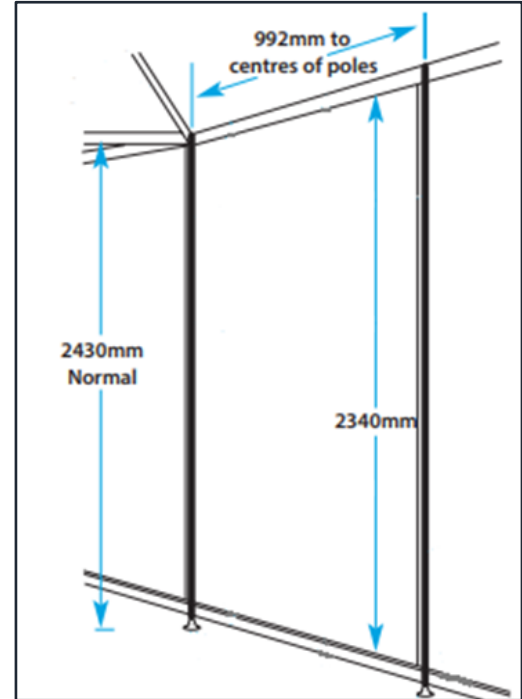
6x3 End of block back wall 5882mm  
6x6 End of block back wall 5882mm

### Per panel dimensions:



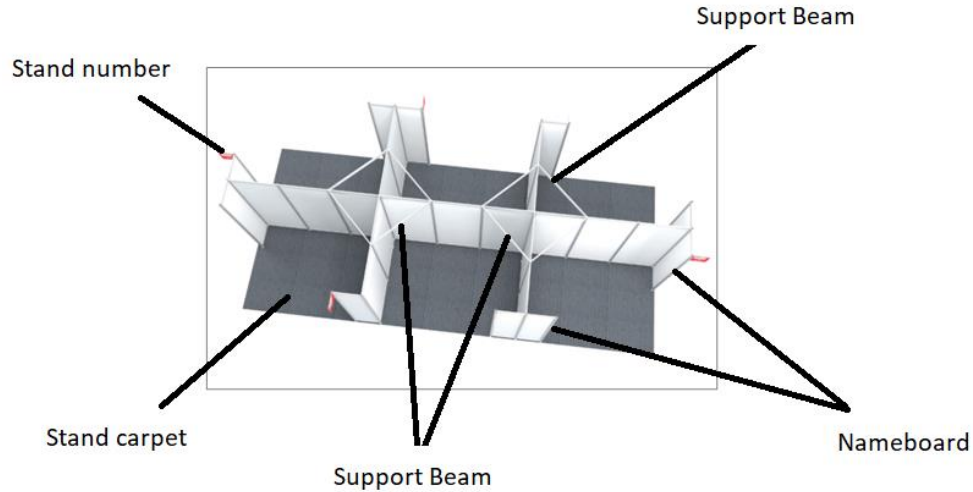
# Top Tips

- Please ensure graphics are to the correct specification when ordering, to avoid disappointment.
- Stand builders and designers will have experience with working with shell scheme stands, please ensure you share this document with yours.
- All stands will have 2 top support beams shown here in the images. If your structure is freestanding please ensure it fits below the top support beam to avoid altering the structural stability of the shell scheme.
- All stands will have a name-board panel at the end as shown in image on on the previous page, remember to take this into account when designing your stand.
- Please note middle panels are wider than the corner panels as per dimensions in previous slides, please take this into account when designing your stand.
- If you require, for both London and Manchester you will have to order a light for your stand via the GES Espresso shop.
- If you have a complex build stand that sits higher than the shell scheme please contact [events@ucas.ac.uk](mailto:events@ucas.ac.uk) for help with your stand.



# Top Tips

Features of a shell scheme stand:



\* Image above is displaying a 3x2m stand – all stands at CYF as standard are 3m deep

## DO'S & DON'TS

We hope you find your shell scheme in order. Please observe the do's and don'ts associated with this system.

The use of the fixings below is strictly forbidden on this system:



### FIXING IS PERMITTED BY:

Melamine/Vinyl Panels

- Double sided tabs
- Velcro hook and loop
- Panel brackets
- Hanging chains for heavy exhibits

Loop Nylon Panels

- Velcro hook
- Panel brackets
- Hanging chains for heavy exhibits

GES approved d/s pads and Velcro tape only to be used (available for sale at the front of the halls at the Service Desk)

UCAS

CYF 2024



# Contact information

If you have any queries

UCAS

Tel: 01242 544 808

Email: [events@ucas.ac.uk](mailto:events@ucas.ac.uk)

**Direct to GES care team**

Call us today: +44 (0)2476 380 190

Monday - Friday 08:30 - 17:00 GMT